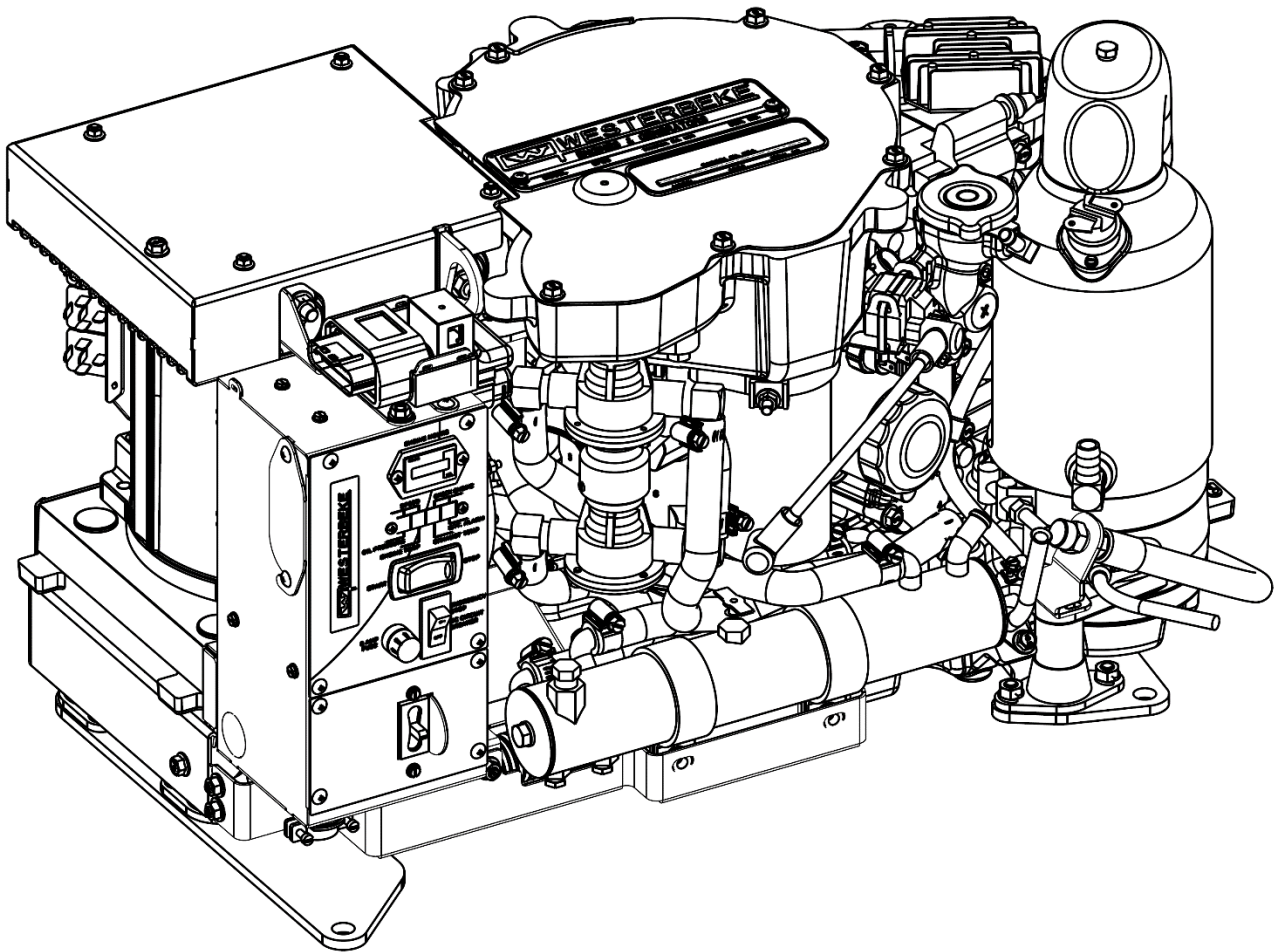
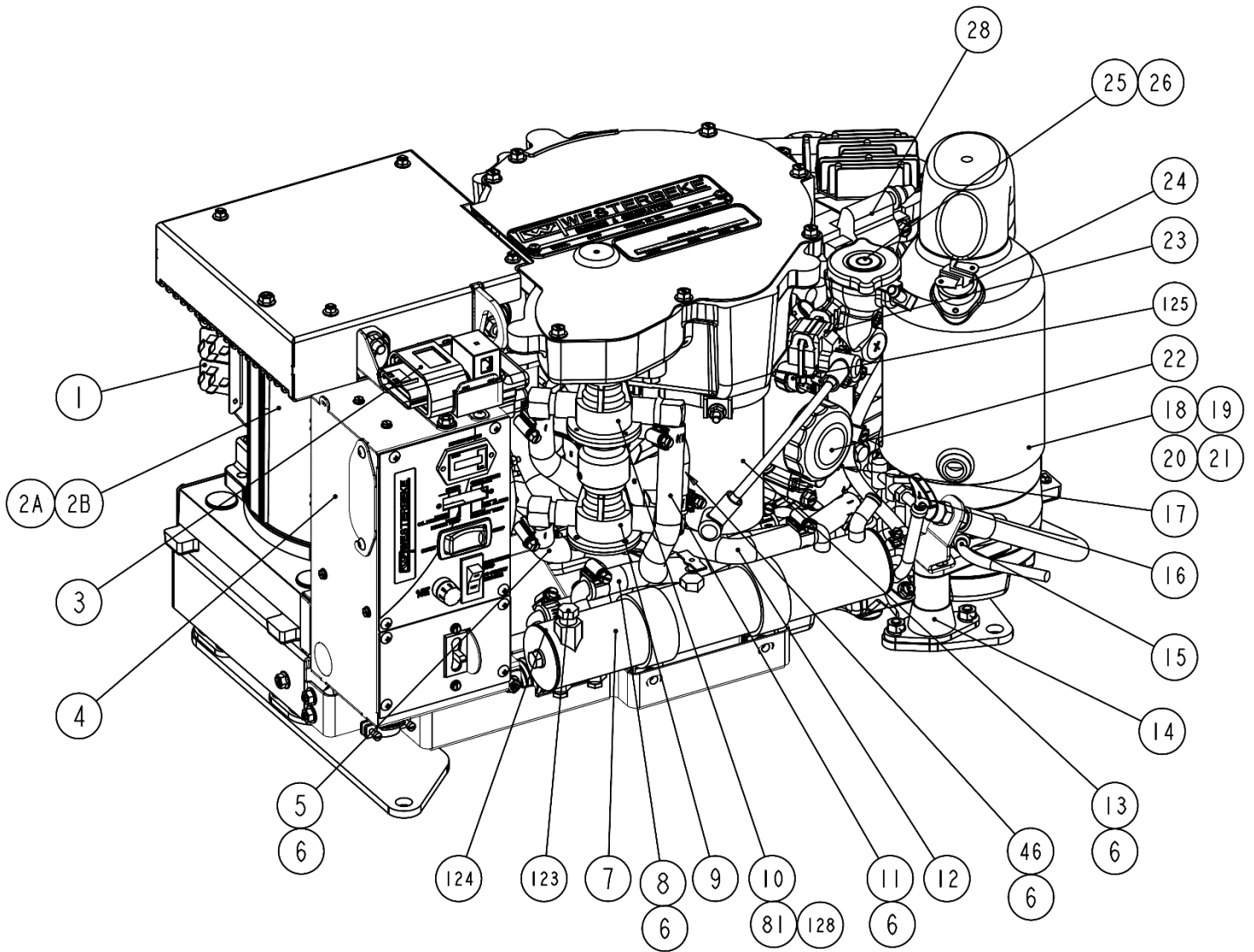


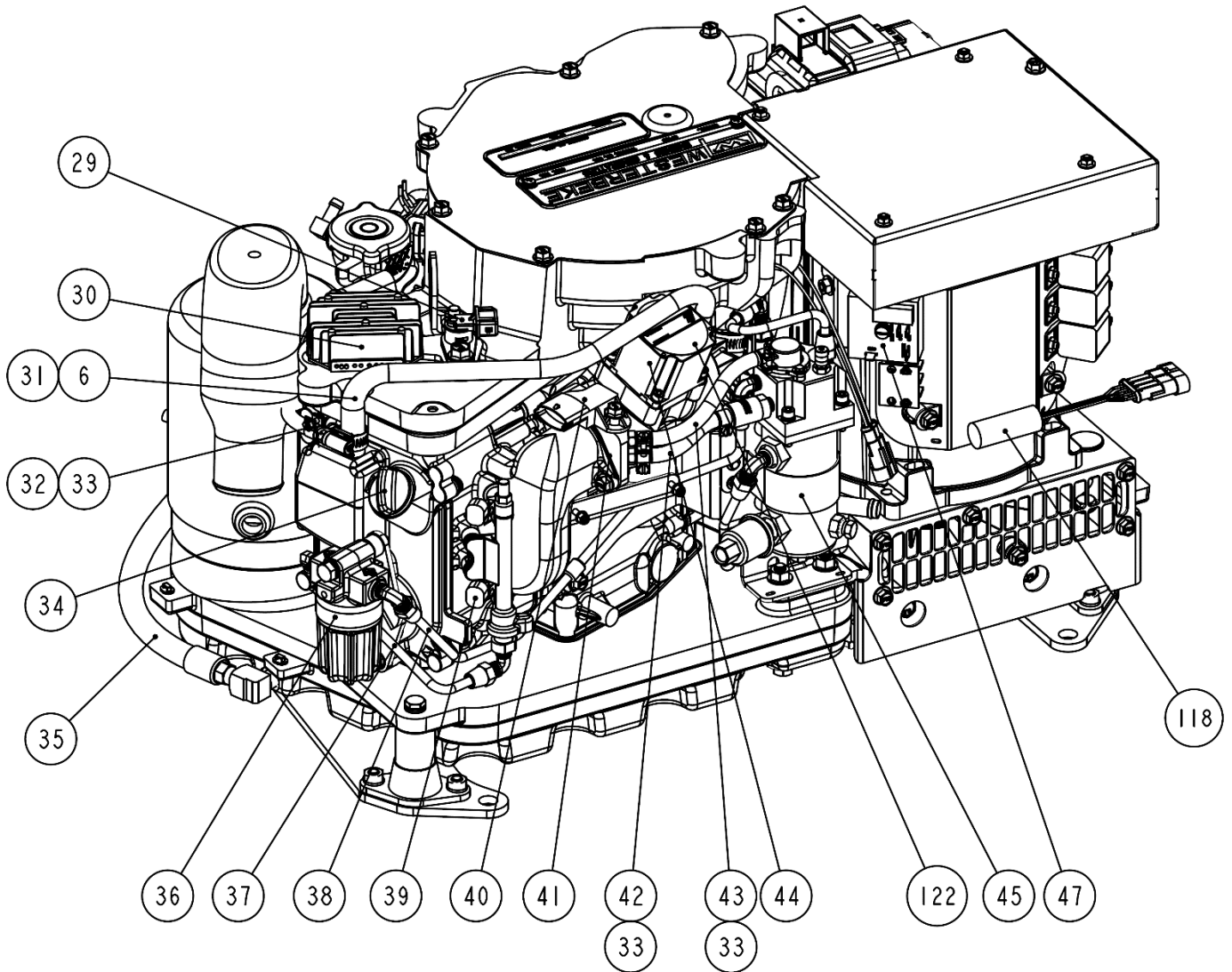
ILLUSTRATED PARTS LIST

FOR MODELS
3.5 MCGA (60HZ) AND 3.5 MCGA (50HZ)

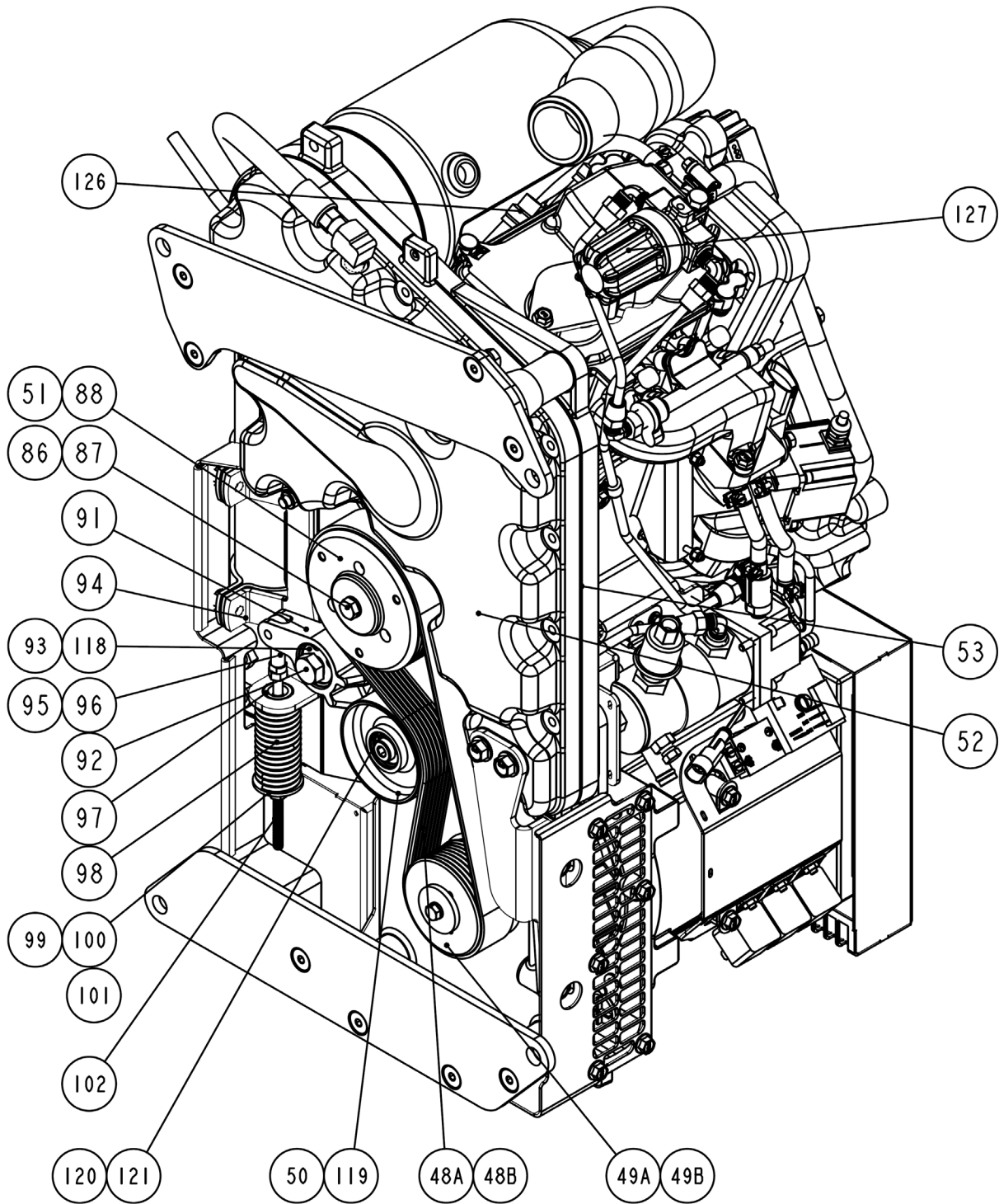




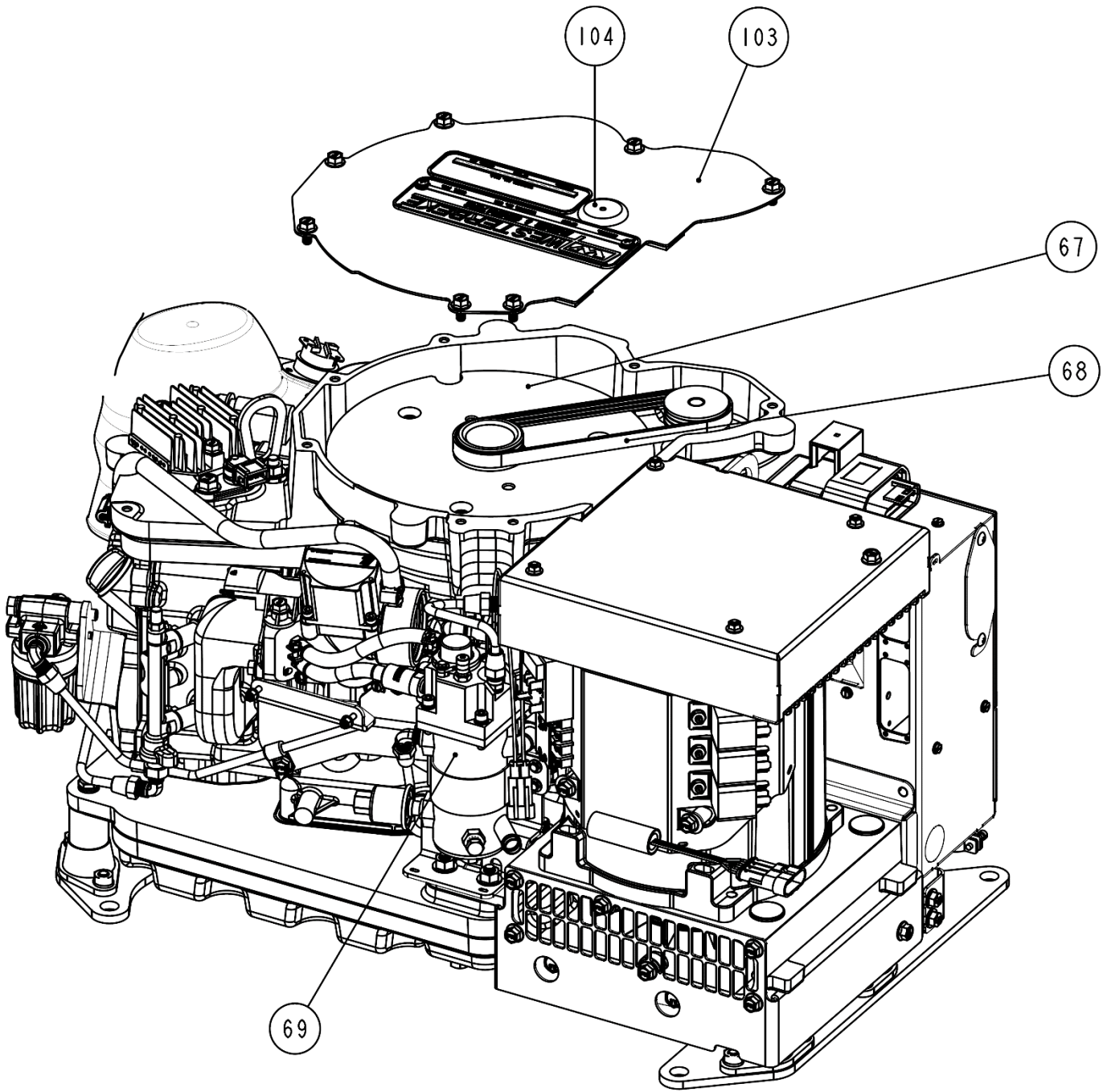
SERVICE SIDE VIEW (LEFT)



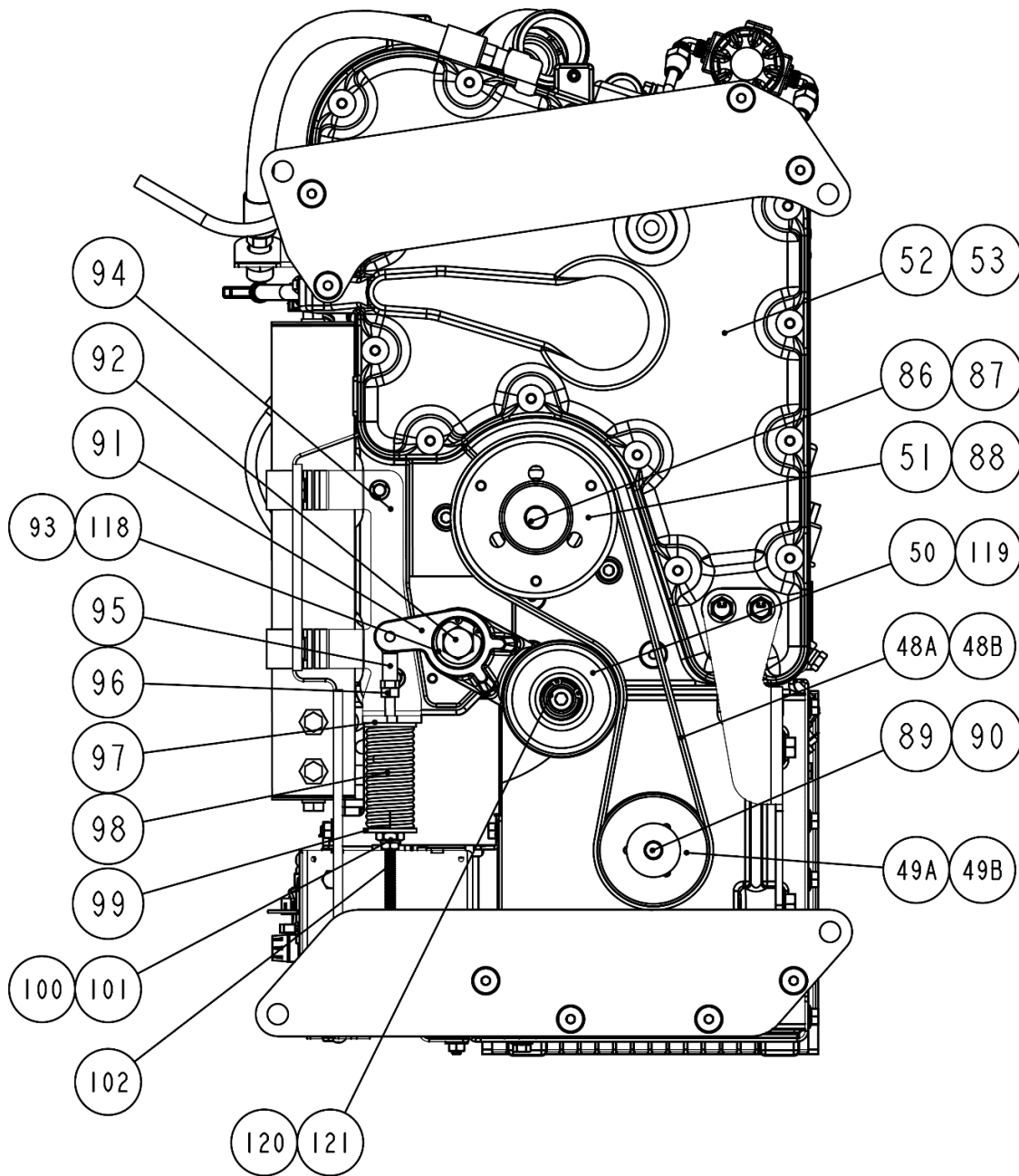
NON-SERVICE SIDE VIEW (LEFT)



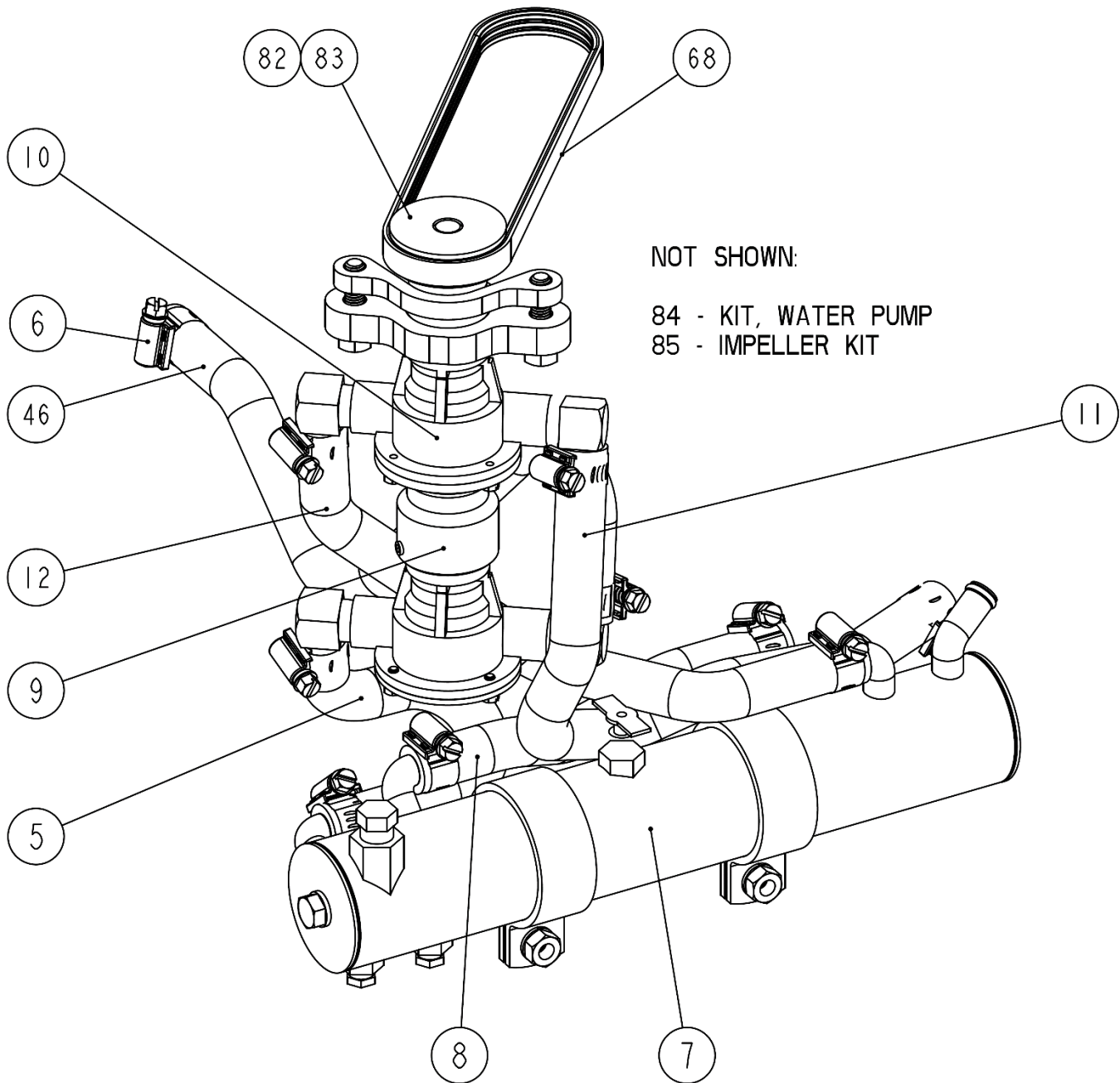
BOTTOM VIEW



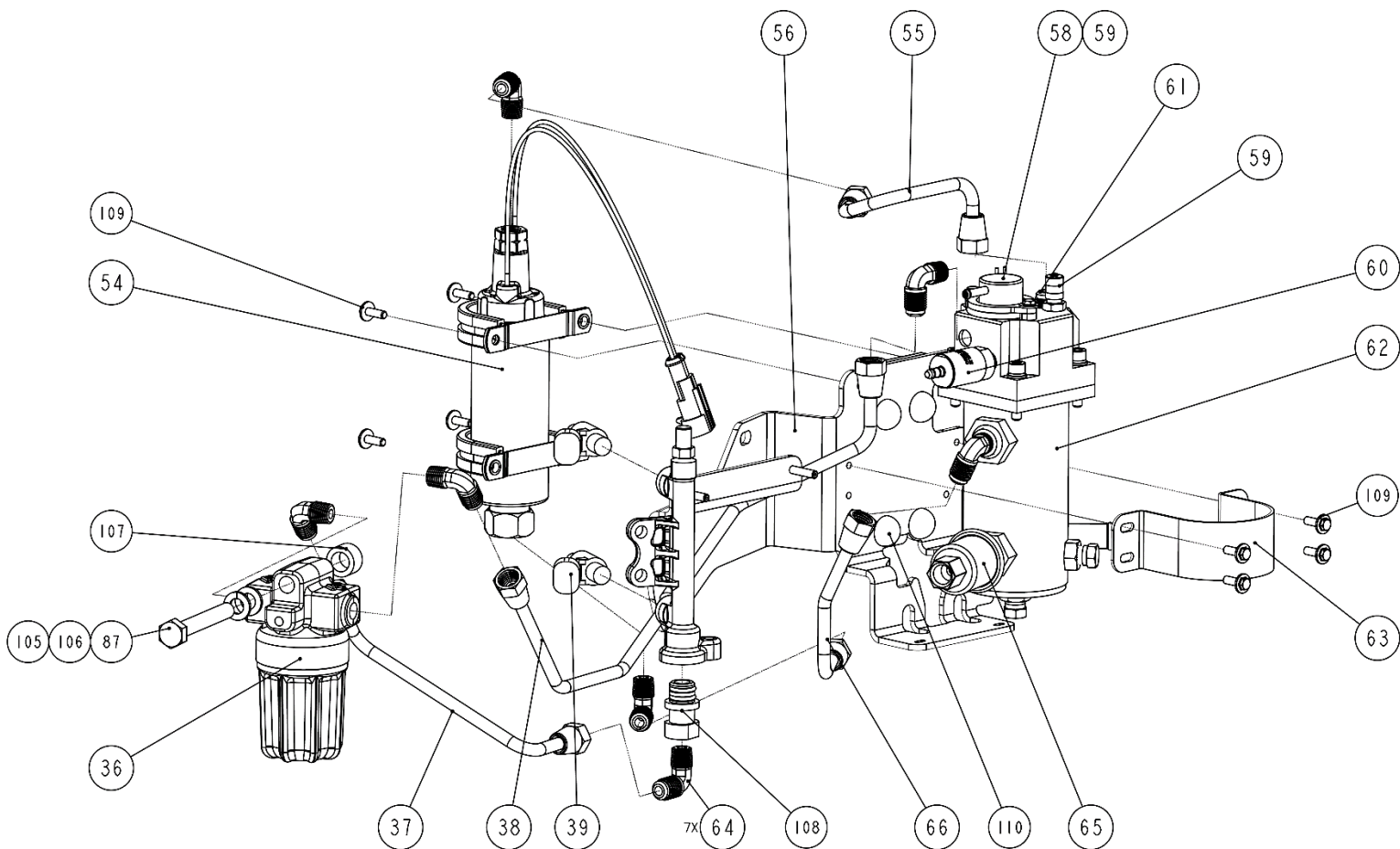
UPPER BELT COMPONENTS



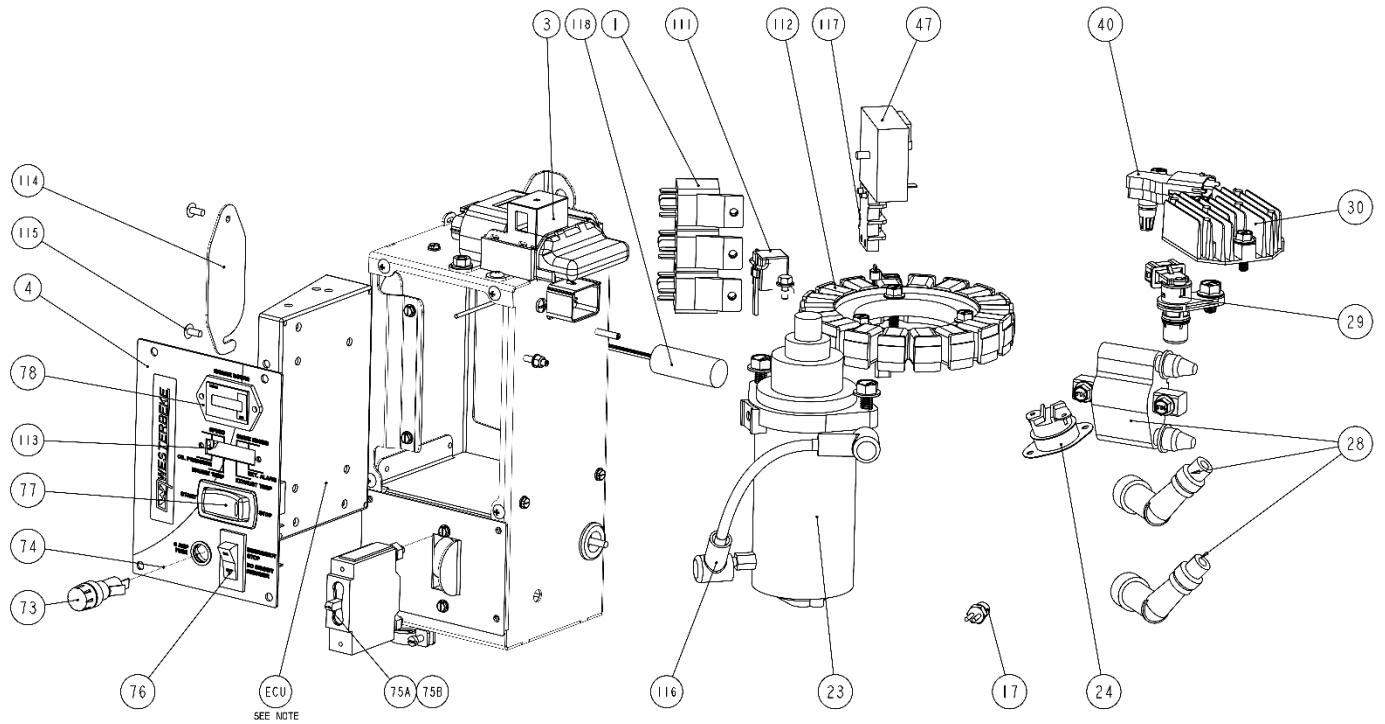
LOWER BELT & TENSIONER COMPONENTS



COOLANT SYSTEM COMPONENTS

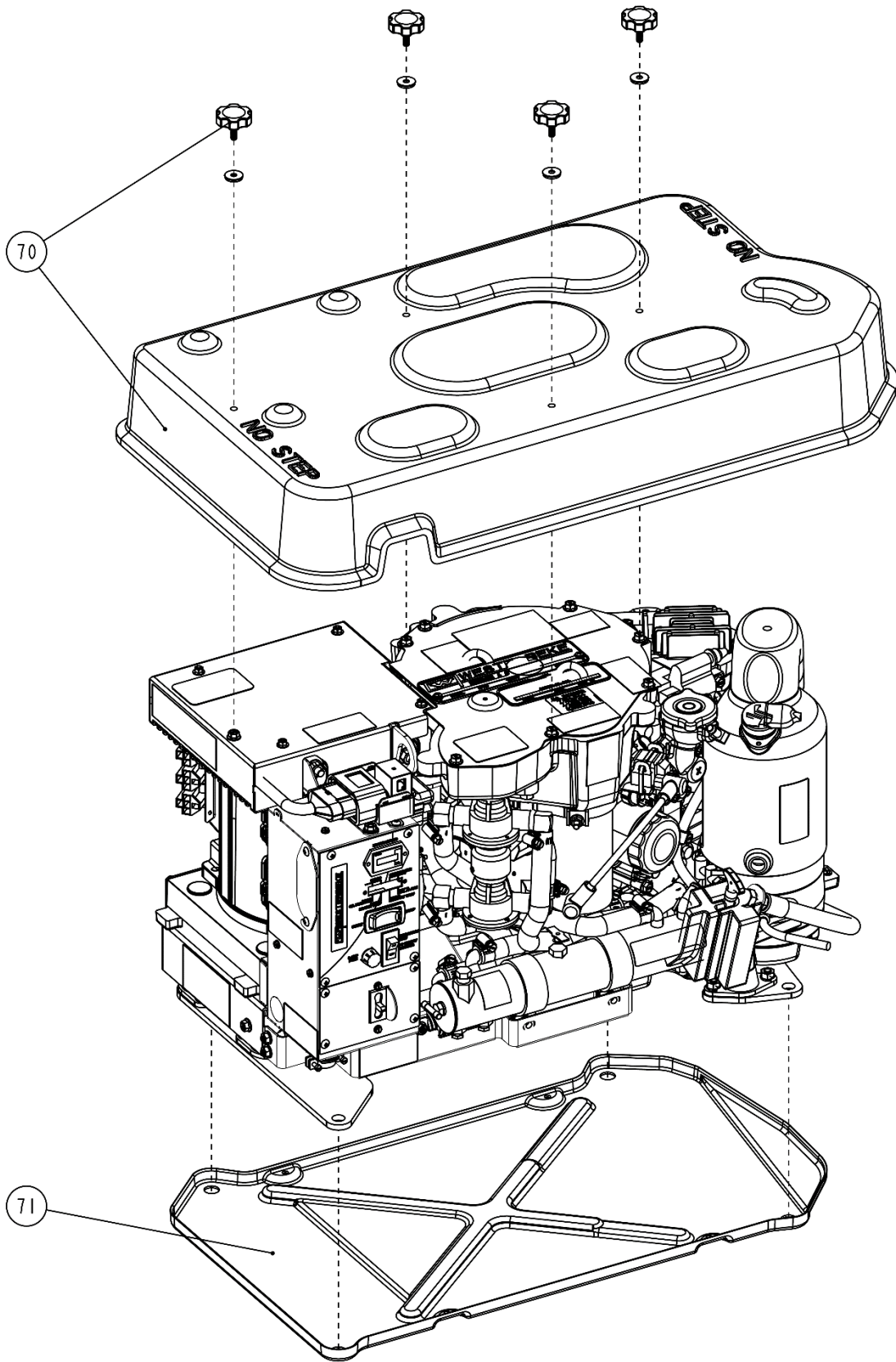


FUEL SYSTEM COMPONENTS



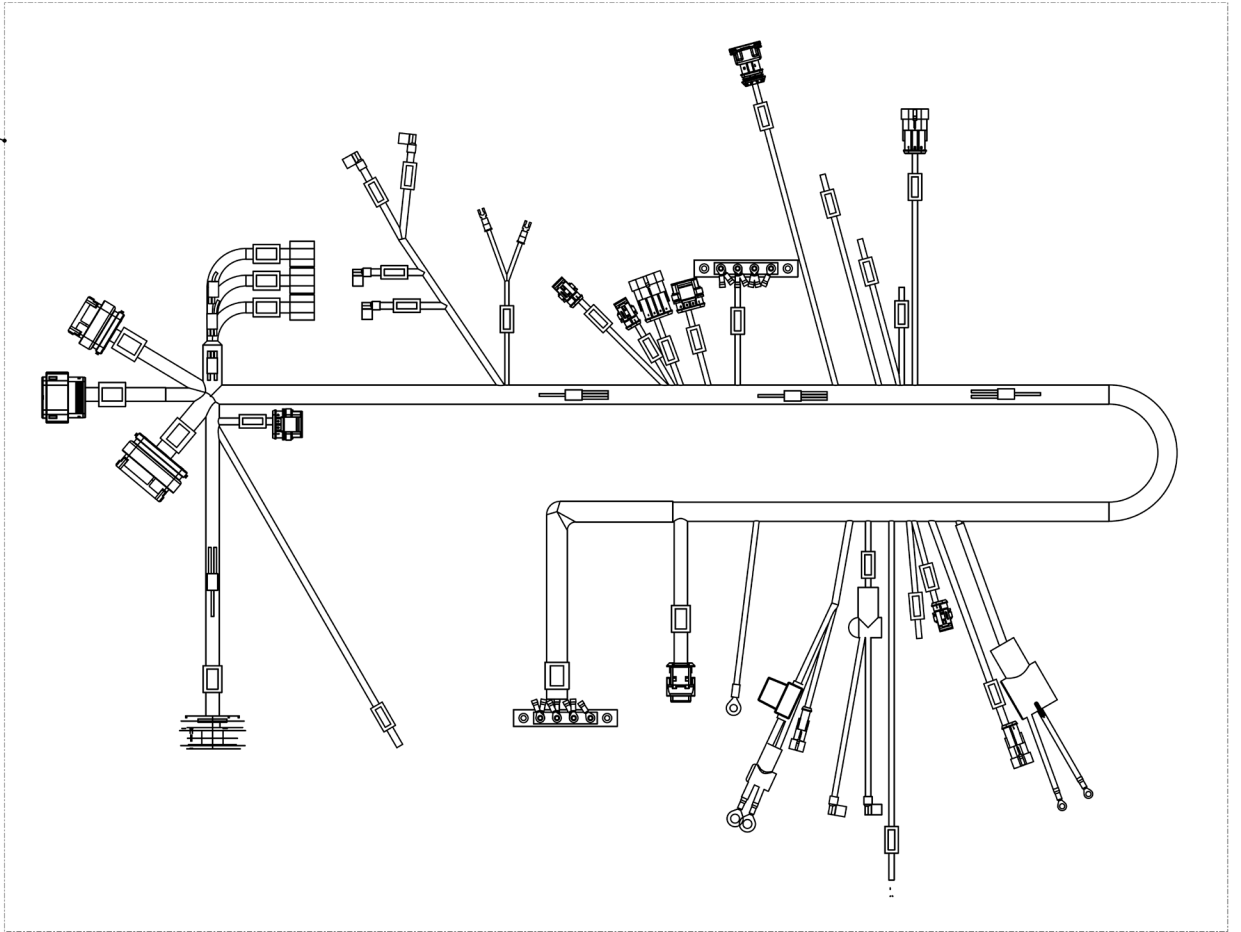
ELECTRICAL SYSTEM COMPONENTS

CONTACT SERVICE OR SPARE PARTS REPRESENTATIVE
FOR ECU REPLACEMENT, GENSET SERIAL NUMBER IS REQUIRED



OPTIONAL ACCESSORIES

72



ENGINE WIRING HARNESS

PARTS LIST

REF	PART #	PART NAME	NOTES
1	41150	RELAY 30A	
2A	57612	GEN SET ASSY 60HZ	
2B	57709	GEN SET ASSY 50HZ	
3	57509	IGNITION MODULE	
4	57462	PANEL, GENSET	
5	57333	HOSE, EXCHANGER TO PUMP	
6	17298	CLAMP, HOSE 06	
7	57402	HEAT EXCHANGER	
8	57398	HOSE, EXCHANGER TO BASE	
9	47970	PUMP, SEA WATER LOWER	
10	46814	PUMP, FRESH WATER UPPER	
11	57400	HOSE, FWP TO BASE	
12	57399	HOSE, FWP TO EXCHANGER	
13	57506	MOTOR,STARTER	
14	57470	ISOLATOR,GEN 85LB	
15	49077	SENSOR,OXYGEN WIDE BAND	
16	57439	DIPSTICK	
17	42198	SENSOR, TEMP	
18	55146	MANIFOLD, EXHAUST ELBOW	
19	56586	CATALYST ASSY	
20	48984	CLAMP,EXHAUST ELBOW	
21	48985	GASKET,EXHAUST ELBOW-MANIFOLD	
22	48078	FILTER, OIL	
23	57593	SOLENOID,STARTER 3.5 MCGA	
24	32923	SWITCH,TEMPERATURE EXHAUST	
25	57535	THERMOSTAT 3.5 MCGA	
26	48150	GASKET,THERMOSTAT 3.0 BPMG	
28	57495	COIL,IGNITION 3.5 MCGA	
29	56705	SENSOR, CAM SPEED	
30	57497	BATTERY CHARGER	
31	57219	HOSE,ENG VENT	
32	57680	HOSE,DIPSTICK TO CAM COVER	
33	40384	CLAMP,HOSE	
34	57685	CAP,OIL FILL	
35	57639	HOSE,SUMP DRAIN	
36	47006	FILTER,FUEL	
37	57380	LINE,FUEL FILTER TO RAIL	
38	57379	LINE,FUEL MOD TO FILTER	
39	52855	INJECTOR,FUEL	
40	48989	SENSOR,MAP W/TEMPERATURE	

(CONTINUED NEXT PAGE)

(PARTS LIST CONTINUED)

REF	PART #	PART NAME	NOTES
41	57501	GASKET,INTAKE	
42	57561	HOSE,DIVERTER TO INT	
43	57562	HOSE,REG TO INT	
44	57500	THROTTLE BODY ASSY	
45	57321	MODULE,FUEL PUMP ASSY	
46	57334	HOSE,FUEL MODULE TO SWP	
47	53555	RELAY,TIMING	
48A	57515	BELT,3.5 MCGA,B 60HZ	FOR 60HZ GENSET
49B	57516	BELT,3.5 MCGA,B 50HZ	FOR 50HZ GENSET
49A	57353	PULLEY,GENERATOR 60HZ	
49B	57354	PULLEY,GENERATOR 50HZ	
50	57355	PULLEY,IDLER	
51	57356	PULLEY,CRANK	
52	57235	SUMP, OIL	
53	57394	GASKET,SUMP	
54	57828	PUMP,FUEL	
55	57335	LINE,LP OUT TO FUEL MOD	
56	57320	BRACKET,FUEL MODULE	
57	54769	REGULATOR,FUEL	
58	54770	RETAINER,FUEL REGULATOR	
59	42738	VALVE,FUEL SYSTEM TEST	
60	54500	VALVE,DIVERTER	
61	55510	CONNECTOR,MALE	
62	57328	MODULE,FUEL BASE	
63	57330	CLAMP,FUEL MODULE	
64	55511	ELBOW,MALE	
65	48076	FILTER,FUEL 80 MIC	
66	57329	LINE,FUEL MOD TO LP IN	
67	57220	FLYWHEEL ASSEMBLY	
68	46869	BELT,WATER PUMP 3.5 MCBA,B	
69	57480	SCREW,THUMB	ACCESSORY
70	57475	DRIP SHIELD	ACCESSORY
71	57461	DRIPTRAY	ACCESSORY
72	57522	HARNESS,GENSET	
73	43747	HOLDER, FUSE	
74	33769	FUSE MTH 8A	
75A	54942	BREAKER, CIRCUIT 30A	FOR 60HZ GENSET
75B	38797	BREAKER, CIRCUIT 20A	FOR 50HZ GENSET
76	52732	BREAKER,CIRCUIT 20A	
77	49200	SWITCH, ROCKER	
78	43835	METER, HOUR	
79	57654	WIRE, STARTER	
80	55846	WASHER	

(CONTINUED NEXT PAGE)

(PARTS LIST CONTINUED)

REF	PART #	PART NAME	NOTES
81	57519	PUMP SUB ASSY COMPLETE	
82	57518	PULLEY	
83	11357	SET SCREW	
84	48625	KIT, WATER PUMP	
85	48065	IMPELLER KIT	
86	13630	PULLEY BOLT	
87	31786	WASHER	
88	46842	PULLEY BEARING	
89	46270	PULLEY BOLT	
90	31783	LOCK WASHER	
91	57296	IDLER ARM	
92	13616	BOLT	
93	46845	CLIP	
94	57359	IDLER BRACKET	
95	57365	CLEVIS	
96	31754	UPPER NUT	
97	57362	BUSHING	
98	57361	SPRING	
99	57363	WASHER	
100	57364	LOWER NUT	
101	31750	LOWER LOCK NUT	
102	57366	ROD	
103	57598	COVER	
104	57474	PLUG	
105	31225	FUEL FILTER BOLT	
106	31787	FLAT WASHER	
107	21722	SPACER	
108	57336	CONNECTOR,FUEL RAIL	
109	57449	CAPSCREW	
110	55534	BUMPER,RUBBER	
111	57507	COIL,PULSER	
112	57505	ALTERNATOR 12VDC	
113	48991	PC BOARD ASSY,DISPLAY LED	
114	57312	ECU COVER	
115	34421	SCREW	
116	57654	STARTER WIRE	
117	47213	BLOCK,TERMINAL	
118	57576	SPEED MODULE	

(CONTINUED NEXT PAGE)

(PARTS LIST CONTINUED)

REF	PART #	PART NAME	NOTES
119	57553	PULLEY ASSY, IDLER	W/ BEARING
120	57360	BEARING, PULLEY	
121	57367	RETAINING RING	PULLEY BEARINGS
122	24906	CLAMP, HOSE MINIATURE	THROTTLE BODY HOSE
123	11885	ZINC	
124	33298	GASKET,EXCHANGER 1-7/8 IN	HEAT EXCHANGER
125	37323	SWITCH,OILPRESS	
126	45352	SPARKPLUG 3.5 MCGA,B	
127	47006	ELEMENT, FUEL FILTER	
128	48065	KIT, WATER PUMP 46814	

OPTIONAL PARTS LIST (NOT SHOWN IN ILLUSTRATIONS)

REF	PART #	PART NAME	NOTES
OP1	54928	PANEL,REMOTE CONTROL	START/STOP WITH LED (4" X 4")
OP2	55345	PANEL,REMOTE ST-STOP	START/STOP ONLY (2.6" X 3.2")
OP3	57100	GASKET SET, UPPER	
OP4	57717	GASKET SET,COMPLETE	
OP5	56910	SPARE PARTS KIT A	CONTAINS ITEMS: 67,99,17A,106,10,86,15,60,52,53 & 77
OP6	56911	SPARE PARTS KIT B	CONTAINS ITEMS:67,99,17A,35,106,90,42-44,10,86,15,60,52,53,77,OP3 &OP4
OP7	56912	HOSE KIT	CONTAINS ITEMS: 7,47,30,74,73,85,136,55537 & 56990
OP8	56556	MANUAL,OPERATOR	
OP9	58266	DGGENSET WIRE	WIRING DIAGRAM SCHEMATIC
OP10	54931	CABLE,EXTENSION 15'	15FT EXTENSION FOR 54928/55345
OP11	54932	CABLE,EXTENSION 30'	30FT EXTENSION FOR 54928/55345
OP12	57261	CABLE,EXTENSION 15' W/ LOOM	15FT EXTENSION FOR 54928/55345
OP13	57260	CABLE,EXTENSION 30' W/ LOOM	30FT EXTENSION FOR 54928/55346
OP14	57854	CABLE,EXTENSION 15' SHIELDED	15FT EXTENSION FOR 54928/55347
OP15	57855	CABLE,EXTENSION 30' SHIELDED	30FT EXTENSION FOR 54928/55348
OP16	57856	CABLE,EXTENSION 50' SHIELDED	50FT EXTENSION FOR 54928/55349
OP17	57857	CABLE,EXTENSION 75' SHIELDED	75FT EXTENSION FOR 54928/55350
OP18	57858	CABLE,EXTENSION 100' SHIELDED	100FT EXTENSION FOR 54928/55351
OP19	56264	HARNESS KIT, AUX RELAY	HARNESS FOR POWERING EXTERNAL RELAY